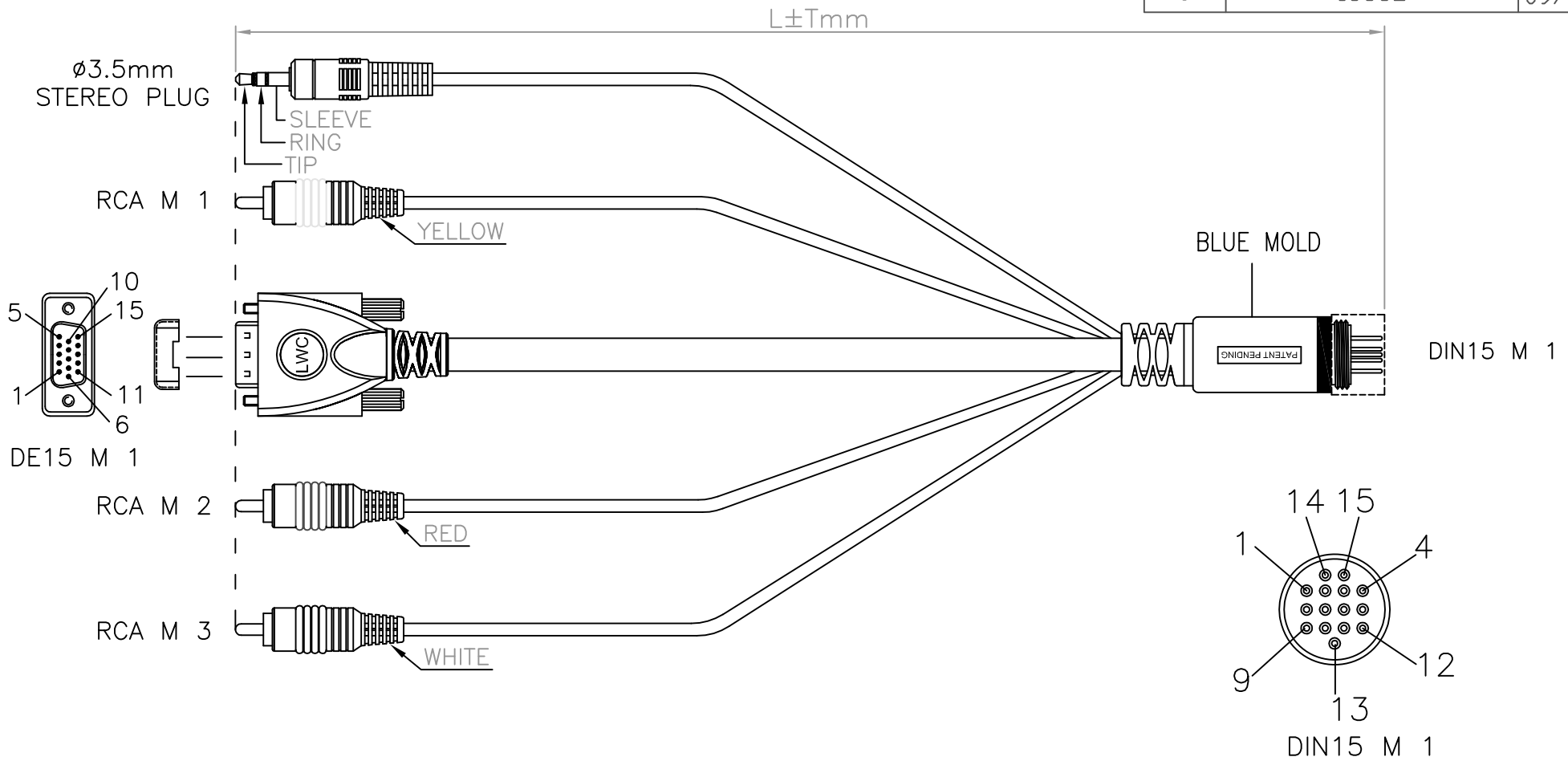


REV	DESCRIPTION	DATE
0	ISSUE	09/04/12



Product Notes:
 Cable UL Listed E190607 CL2 75°C
 CSA 219419 I/II A/B 80°C 150V FT4
 EU RoHS 2002/95/EC Compliant

EZ2-2V2A	914.4	20
P/N.	L(mm)	T(mm)

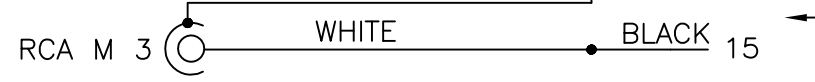
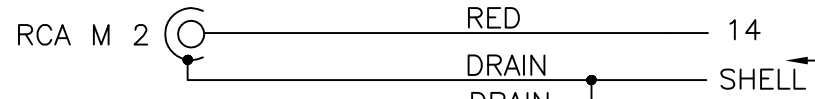
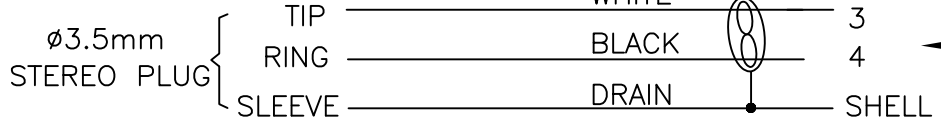
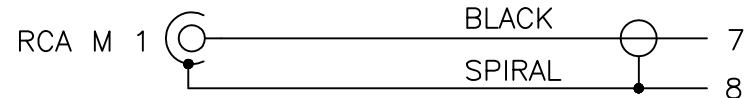
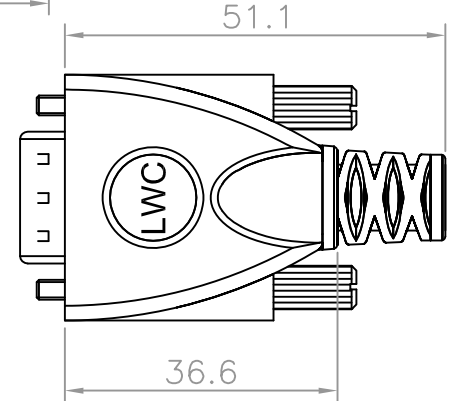
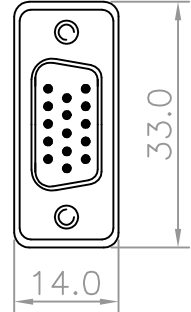
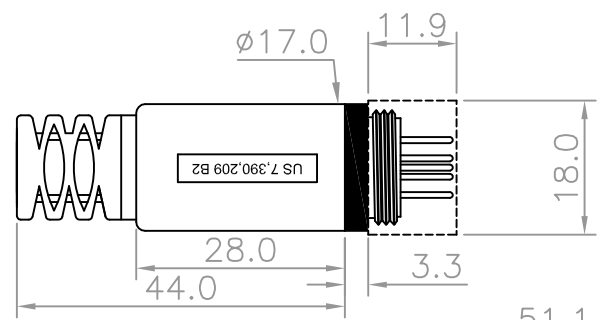
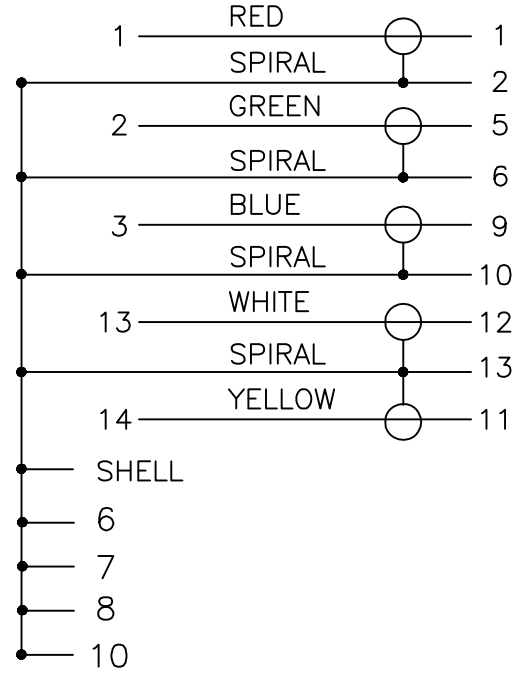
LIBERTY AV SOLUTIONS
 11675 RIDGELINE DRIVE
 COLORADO SPRINGS, CO 80921

WWW.LIBAV.COM
 (800) 530-8998

UNIT:mm	TITLE:	DR.
SCALE: None	Assembly Specification CBL, ASY, EZ2-LINK, PVC	RP
UNLESS OTHERWISE SPECIFIED TOLERANCES: x ±.015 xx ±.010 xxx ±.005 ANGLE ± 1°	PART NUMBER: EZ2-2V2A	CH. RP
SHEET 1/2	DWG. #: LWC-ASY-00679	AP. RP

REV	DESCRIPTION	DATE
0	ISSUE	09/04/12

PIN OUT
DE15 M 1 ————— DIN15 M 1



LIBERTY AV SOLUTIONS WWW.LIBAV.COM
11675 RIDGELINE DRIVE (800) 530-8998
COLORADO SPRINGS, CO 80921

UNIT:mm		TITLE: Assembly Specification CBL, ASY, EZ2-LINK, PVC	
SCALE	None	PART NUMBER: EZ2-2V2A	DR. RP
UNLESS OTHERWISE SPECIFIED TOLERANCES: x ±.015 xx ±.010 xxx ±.005 ANGLE ± 1°		AP. RP	
SHEET 2/2	DWG. #: LWC-ASY-00679		